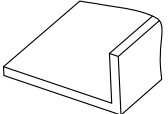
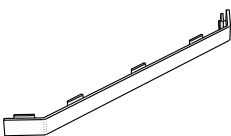
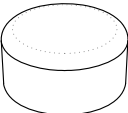
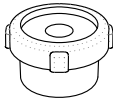
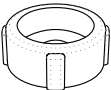
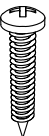
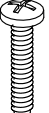

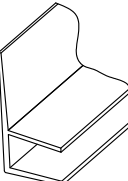
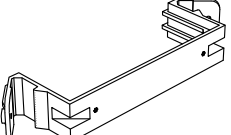

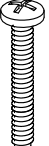
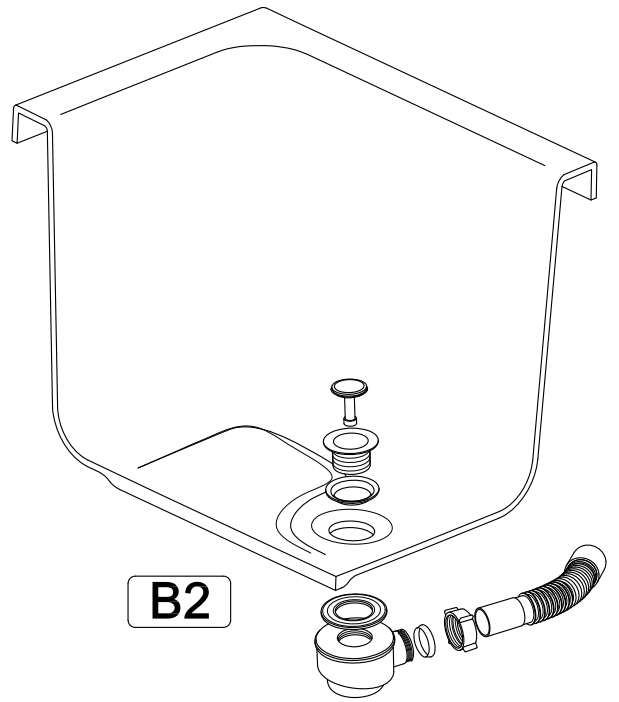
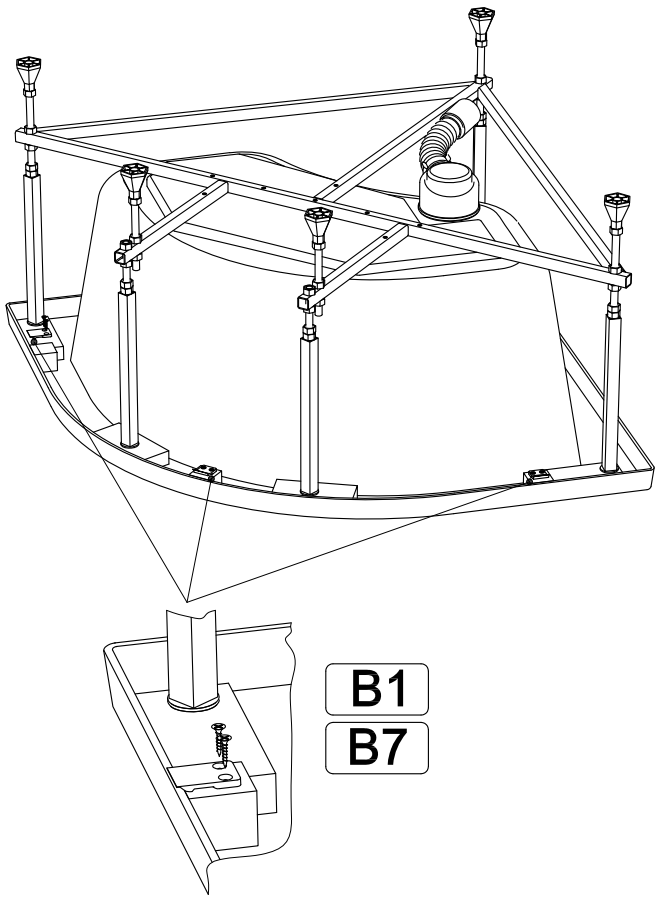
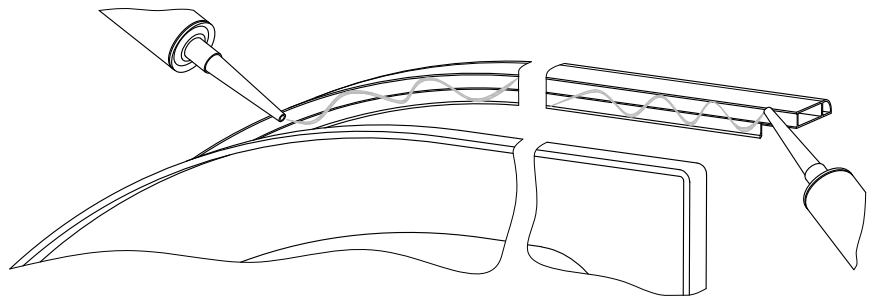


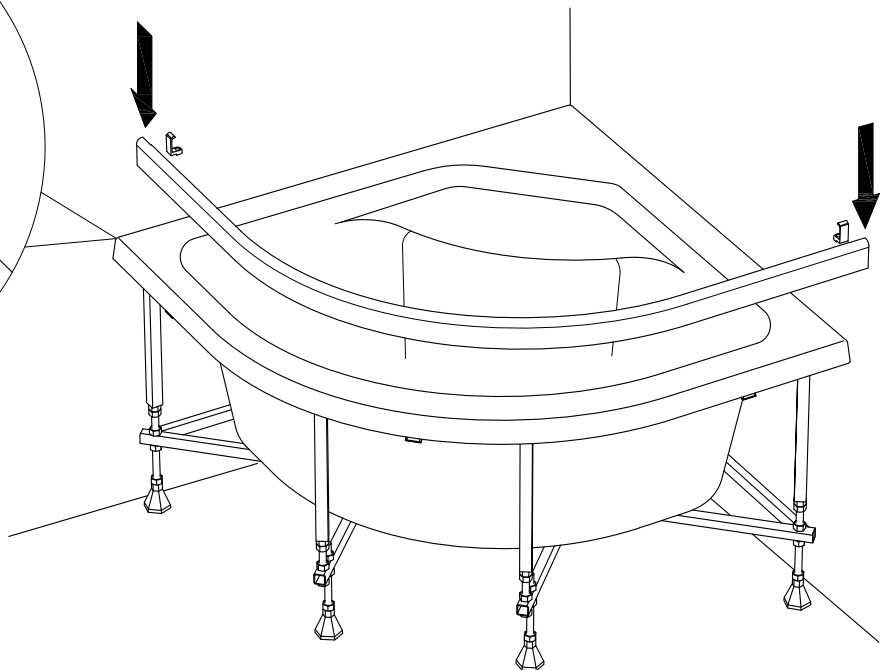
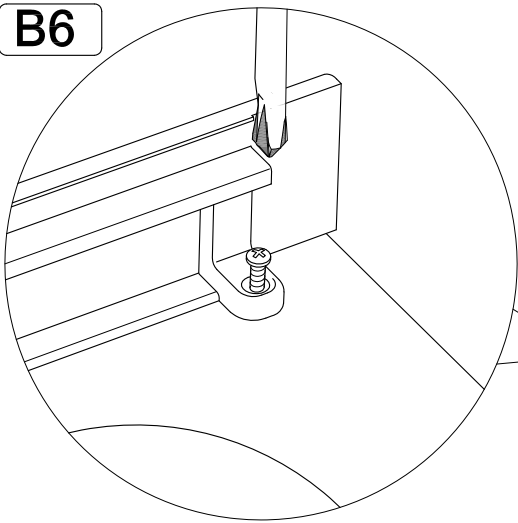
<b>B19</b>  x2	<b>B20</b>  x2			
<b>B21</b>  x12	<b>B22</b>  x12	<b>B23</b>  x6	<b>B24</b> 3.5x19  x12	<b>B25</b> 3.5x15  x6
<b>B26</b> M3.5  x6	<b>B27</b>  x4	<b>B28</b>  x3	<b>B29</b> M4  x2	<b>B30</b> 4x25  x2

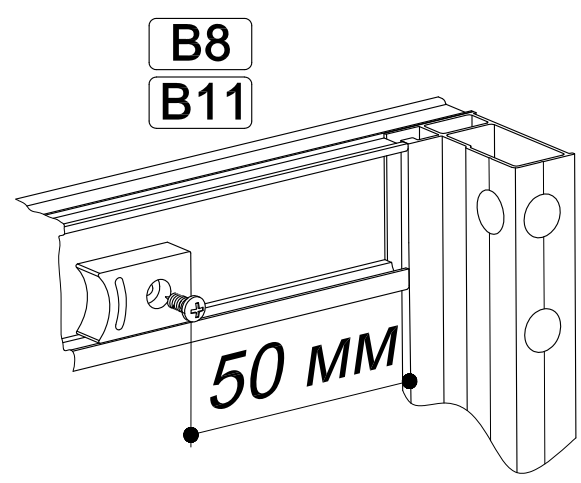
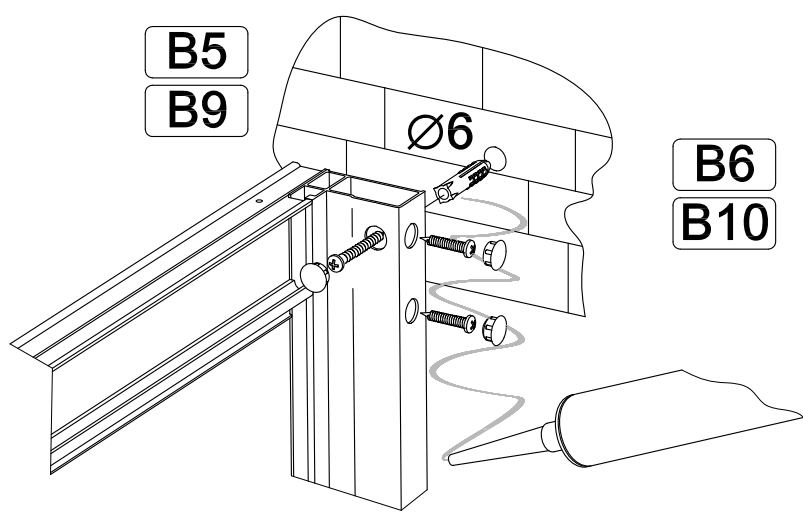
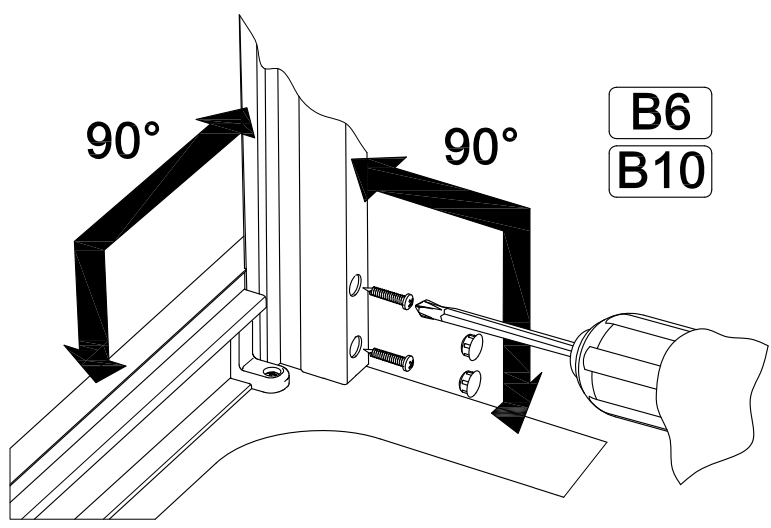
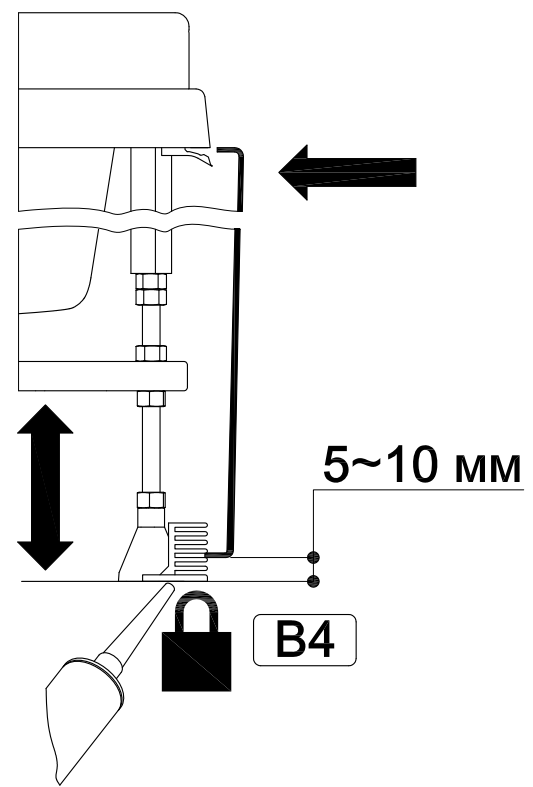
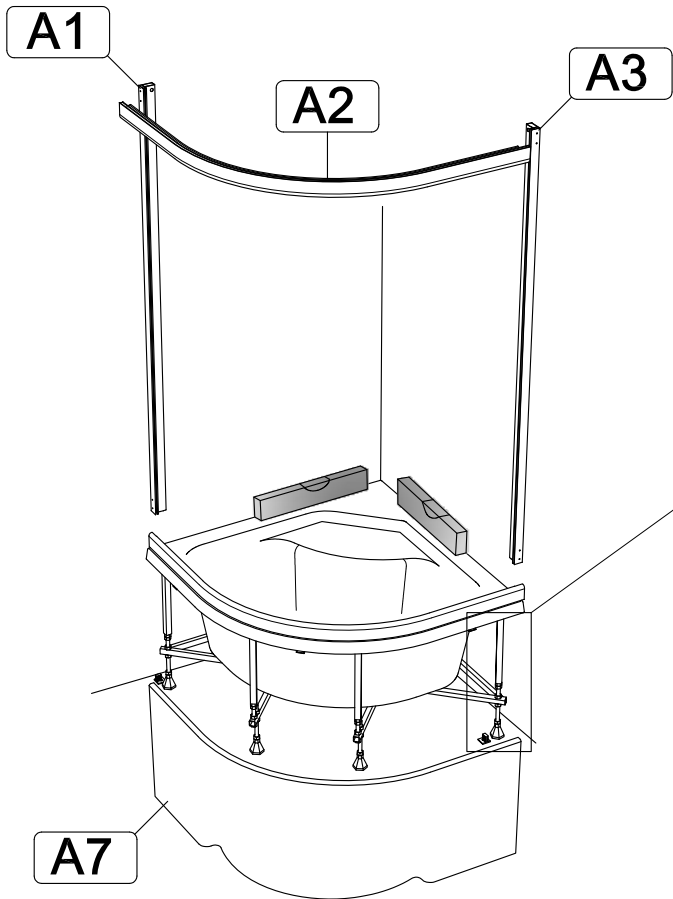


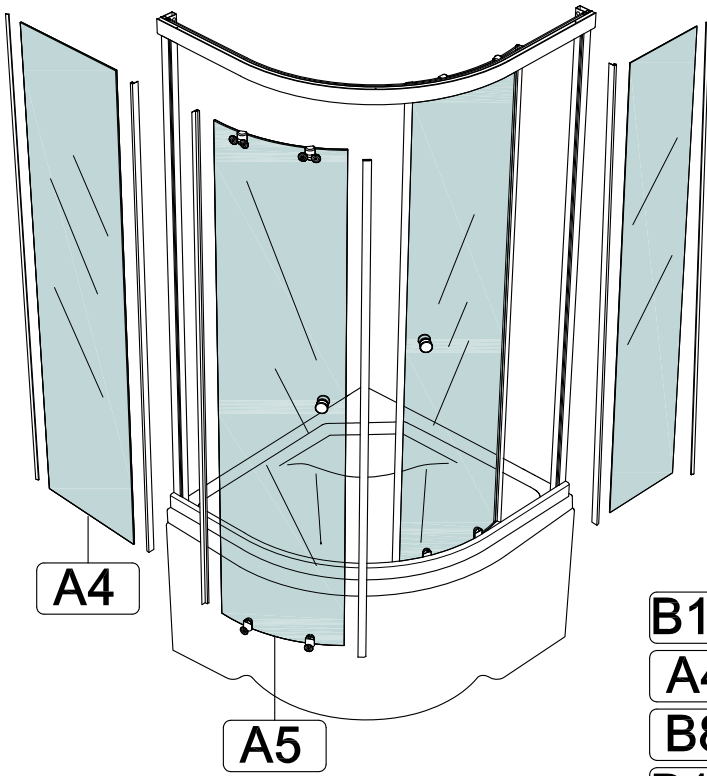
**A6** **A2**



**B3**  
**B6**





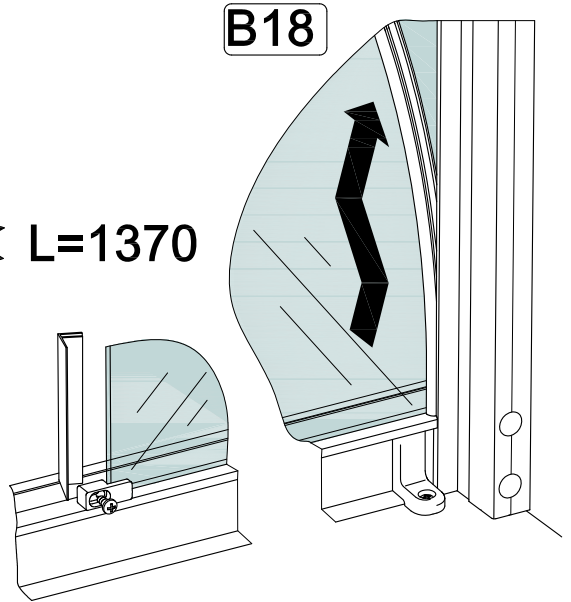


B16 ✂ L=1370

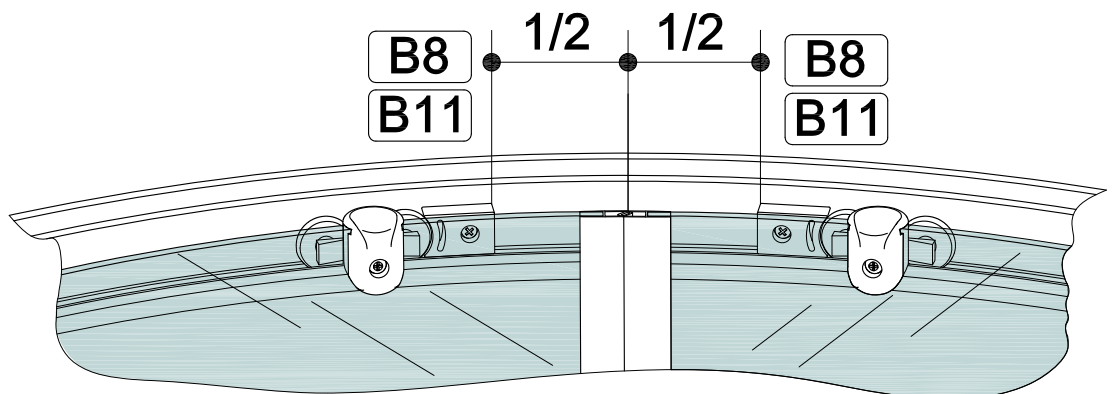
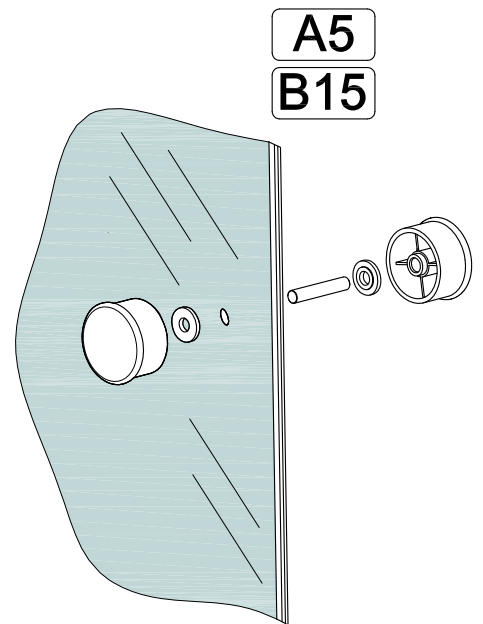
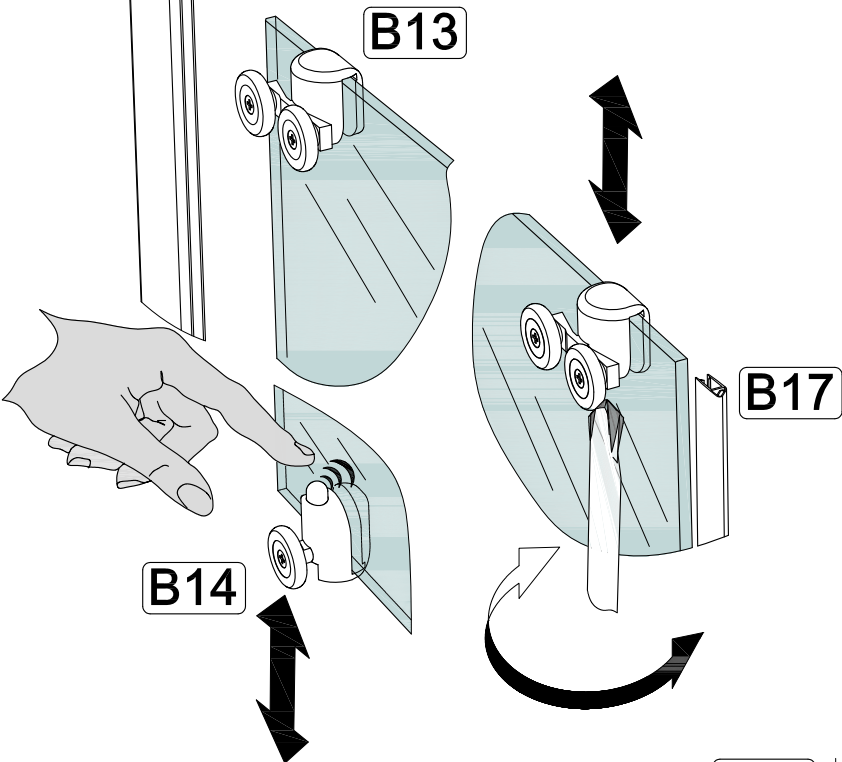
A4

B8

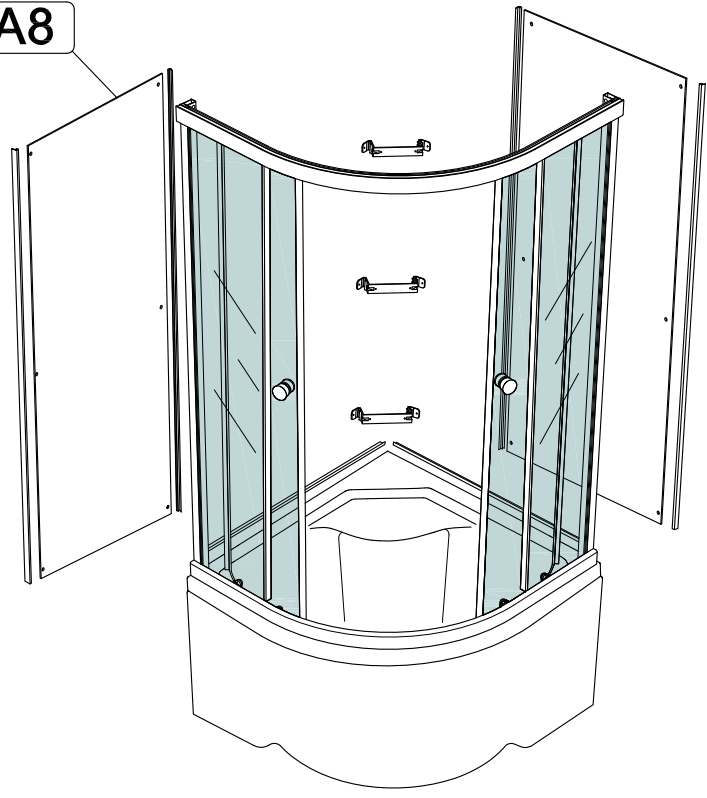
B12



B16 ✂ L=1439



A8

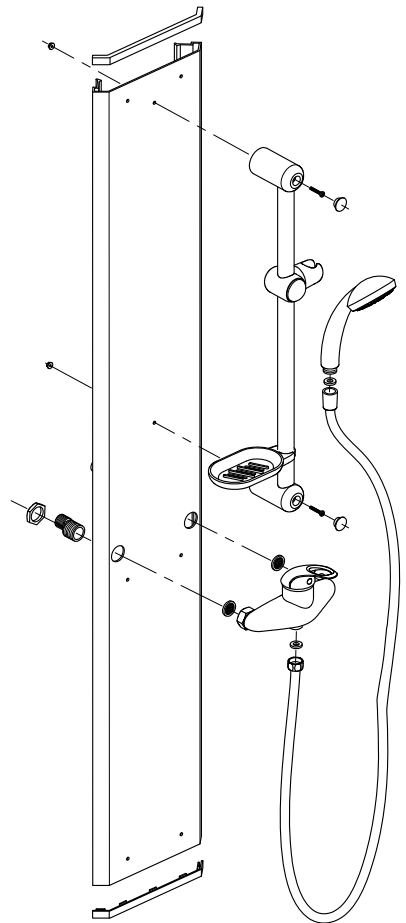


A9

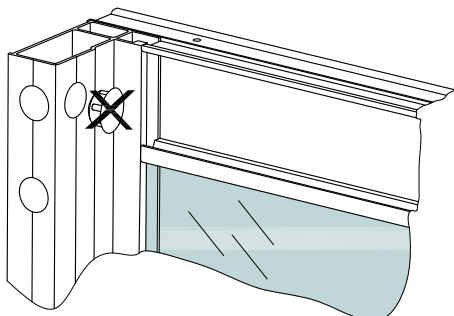
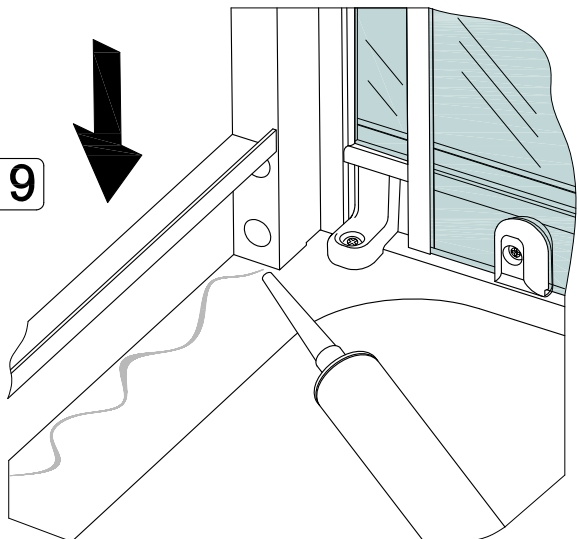
B20

B29

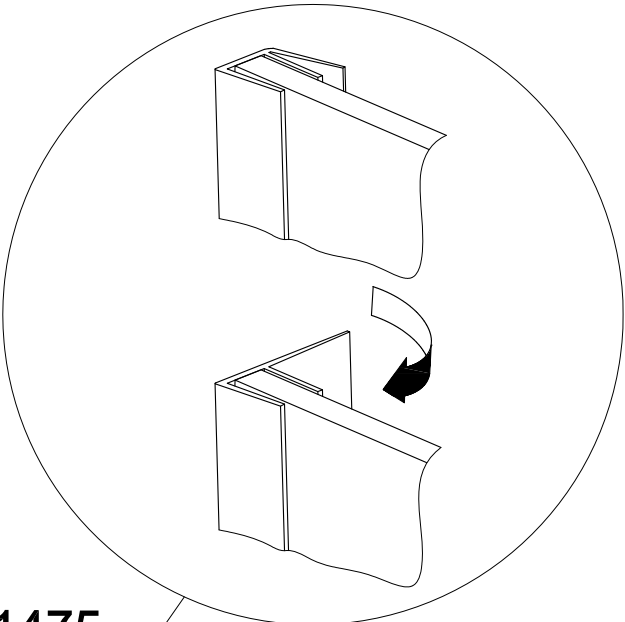
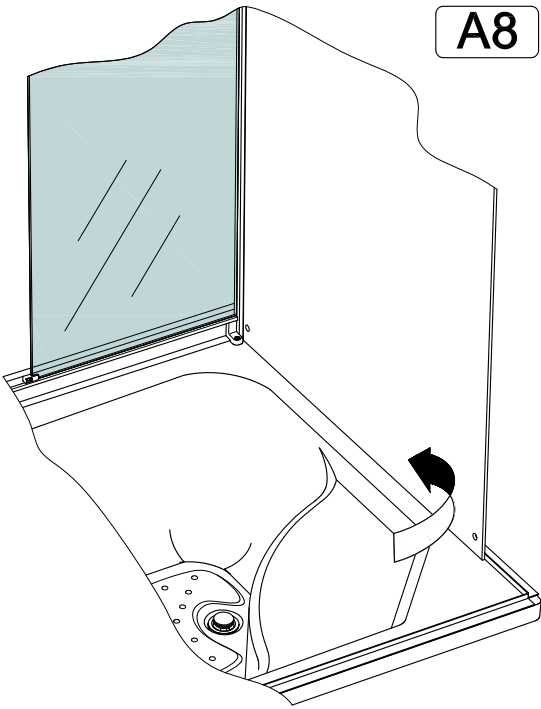
B30



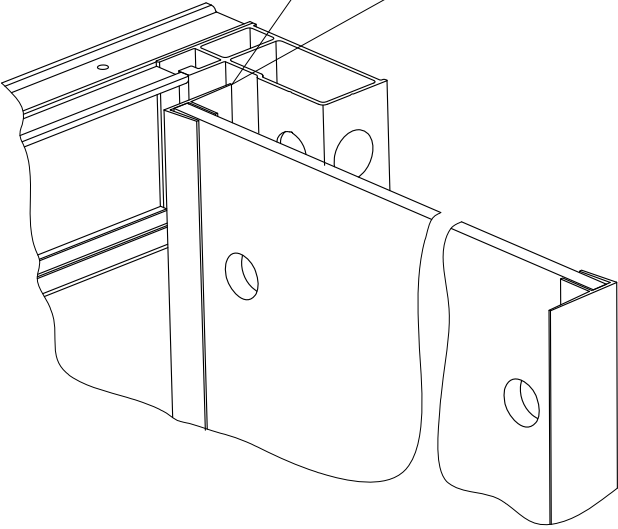
B19



A8



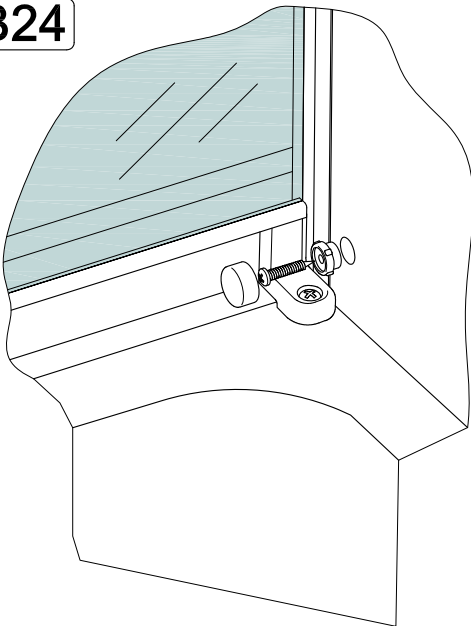
B27 ✂ L=1475



B21

B22

B24



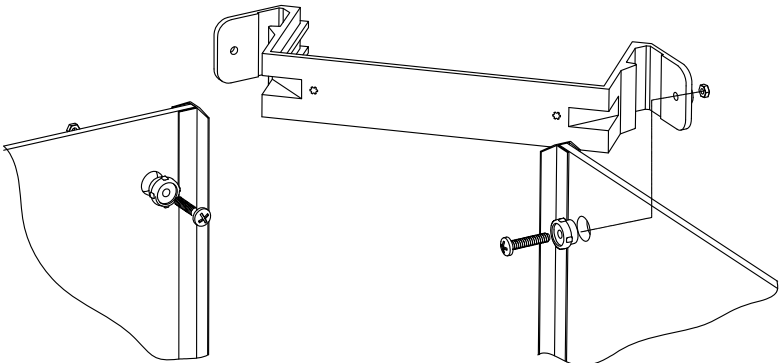
B27 ✂ L=1463

B22

B25

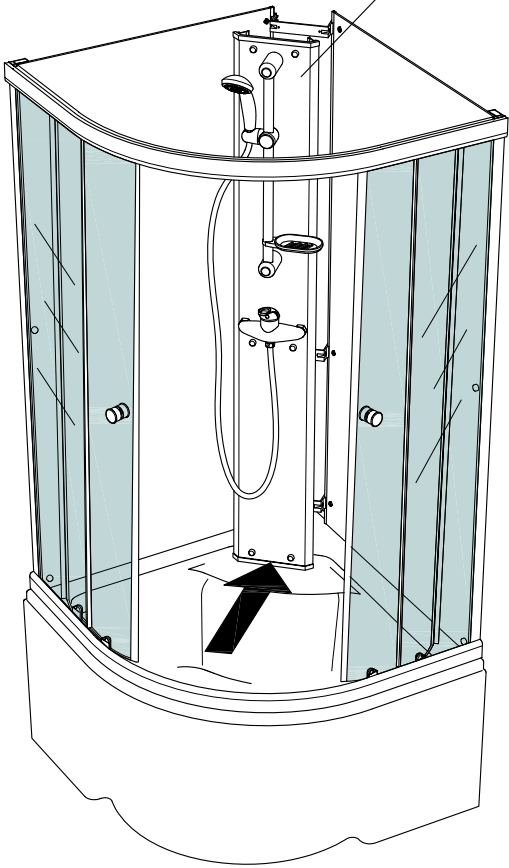
B26

B28





A9



B21

B23

B24

